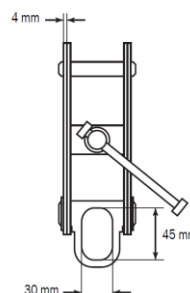
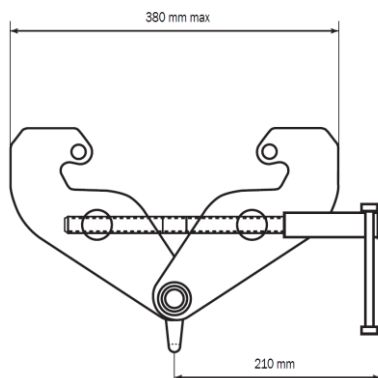


## APPLICATIONS

The Corso clamp anchorage device provides optimum safety against falls from height for people working under I-beams in H or T. The use of Corso clamp on site or in industry as anchor point fall guaranteed to the operator quick and easy positioning of the anchor point.



The Corso clamp anchoring device is intended exclusively for the docking of a personal protection system against falling heights, for example an energy absorbing lanyard or automatic fall arrester blocfor™ or rope grabs stopfor™. The Corso clamp can be installed on the bottom flange of an I, H or T beam.

The Corso clamp placement on the beam is easy thanks to the use the rotating handle of the equipment.

The Corso clamp is intended to be installed on a beam I, H or T whose width is between 75 mm and 235mm.

## TECHNICAL CHARACTERISTICS

The presentation characteristics of the Corso clamp are:

- Two double flange jaws for stable and robust lock on the beam.
- A rotating adjustable handle for quick and easy locking on the beam.
- Higher mechanical strength than the standard specifications.
- An anchor ring compatible with a wide variety of connector for the operator connection.

## APPLICABLE STANDARDS

Complies with CE EN 795 B/2012

Is compatible for a maximum operating load of 150kg

## STANDARD PRODUCTS AND LOGISTIC INFORMATION

Code	Description	EAN Code	Weight (incl. packaging)	Packaging size
97929	Corso clamp	3600230979298	4.4 kg	450 x 220 x 105 mm